

# Homework 10

Engr 100A – Intro to Engineering

Create a 3D model. Pick one of the 2 options below:

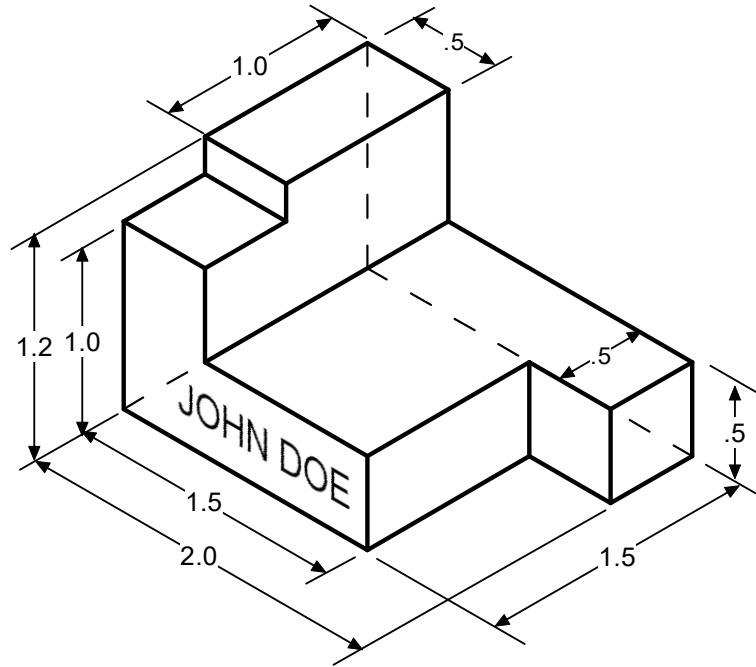
1. Use "On Shape" (create an edu account for access) to create the "Angle Bracket" part below.

Use the dimensions are shown.

OnShape is a web-based CAD software.

A tutorial video is posted. You do not need to emboss your name for this project.

(the video guide is using Solidworks, but hopefully it is good enough to guide you to use On Shape)



OR

2. Use TinkerCAD to create a 3D model (any thing you want.. something fun for you)

Model must be made of at least 5 (FIVE) features (eg, a sphere is 1 feature).

Group all features with various choices of "solid" (add material) and "hole" (take away material)

You will need to create a TinkerCAD account (if you have an Autodesk account I think that will work)

Watch this video guide for creating 3D models on Tinkercad.

<https://www.youtube.com/watch?v=ZvDkflCEpMY>

SUBMISSION - submit a screen shot of your model.